

# SafidOval Double Wall

# SafidOval Double Wall







## CONTENTS







	Type	Page	Product	Page
General	SBLKPL	SBLKPS .....33	Assembly Instructions .....	6
	SKGL	SKGS ..... 9	Bends .....	11-14
SafidVent	SKKYL 45° - 50°	SKKYS 45° - 50° .....15	Boot .....	33
	SKKYL 51° - 135°	SKKYS 51° - 135° .....16	Branch .....	34
Lindab Safe	SKYPL 90°	SKYPS 90° .....12	Collar Saddle .....	27
	SKYPML 90°	SKYPMS 90° .....14	Construction & Standard Sizes .....	8
Lindab Transfer	SKYVL 90°	SKYVS 90° .....11	Coupling .....	29-30
	SKYVML 90°	SKYVMS 90° .....13	End Cap .....	31
Safid Double Wall	SLKPL	SLKPS ..... 27	Flat Oval Duct Systems .....	7
	SLKTL	SLKTS ..... 32	Longitudinal Seamed Duct .....	10
SafidOval	SLYOL	SLYOS .....30	Offset .....	28
	SLYPL	SLYPS ..... 29	Pressure Loss .....	22-24
Safid Rectangular	SMKGL	SMKGS .....10	Reducers .....	35
	SMYL	SMYS .....23	Specifications .....	9
Safid Flexible	SMYKL	SMYKS .....24	Spiral Seamed Duct .....	32
	SMYOL	SMYOS .....22	Take-off .....	19
Notes Standards	SMYPL	SMYPS .....25	Tee Boot .....	21
	SMYRL	SMYRS .....26	Tee Lateral, Flat Oval Branch .....	20
Products & Accessories	SOFL	SOFS .....28	Tee Lateral, Round Branch .....	17-18
	SSLKPL 45°	SSLKPS 45° .....34	Transitions .....	25-26
Lindab Comfort	STPL	STPS .....31	Twin Bends .....	15-16
	STYPL	STYPS ..... 18		
	STYPL 45° - 90°	STYPS 45° - 90° .....20		
	STYVL	STYVS ..... 17		
	STYVBL	STYVBS .....19		
	STYVSL 45° - 90°	STYVSS 45° - 90° .....21		

Right to alterations reserved.

# SafidOval Double Wall

## CONTENTS

Product	Type	Page
Spiral Seamed Duct 	SKGL .....	9
	SKGS .....	9
Longitudinal Seamed Duct 	SMKGL .....	10
	SMKGS .....	10
Bends 	SKYVL 90° .....	11
	SKYVS 90° .....	11
	SKYPL 90° .....	12
	SKYPS 90° .....	12
	SKYVML 90° .....	13
	SKYVMS 90° .....	13
	SKYPML 90° .....	14
	SKYPMs 90° .....	14
Twin bends 	SKKYL 45°-50° .....	15
	SKKYS 45°-50° .....	15
	SKKYL 51°-135° .....	16
	SKKYS 51°-135° .....	16
Tees 	STYVL .....	17
	STYVS .....	17
	STYPL .....	18
	STYPS .....	18
	STYVBL .....	19
	STYVBS .....	19
	STYPL 45°-90° .....	20
	STYPS 45°-90° .....	20
	STYVSL 45°-90° .....	21
	STYVSS 45°-90° .....	21
Reducers 	SMYOL .....	22
	SMYOS .....	22
	SMYL .....	23
	SMYS .....	23
	SMYKL .....	24
	SMYKS .....	24

Product	Type	Page
Transition 	SMYPL .....	25
	SMYPS .....	25
	SMYRL .....	26
	SMYRS .....	26
Collar Saddle 	SLKPL .....	27
	SLKPS .....	27
Offset 	SOFL .....	28
	SOFS .....	28
Coupling 	SLYPL .....	29
	SLYPS .....	29
	SLYOL .....	30
	SLYOS .....	30
End Cap 	STPL .....	31
	STPS .....	31
Take off 	SLKTL .....	32
	SLKTS .....	32
	SBLKPL .....	33
	SBLKPS .....	33
	SSLKPL 45° .....	34
	SSLKPS 45° .....	34
Specifications		35

General
SafidVent
Lindab Safe
Lindab Transfer
Safid Double Wall
SafidOval
<b>7</b> <b>3</b>
Safid Rectangular
Safid Flexible
Notes Standards
Products & Accessories
Lindab Comfort

Right to alterations reserved.

## Benefits of the SafidOval Double Wall System

General

SafidVent

Lindab Safe

Lindab Transfer

Safid Double Wall

SafidOval

7  
4

Safid Rectangular

Safid Flexible

Notes Standards

Products & Accessories

Lindab Comfort



- A complete line of factory preinsulated double wall flat oval ducts and fittings.



- Combines the advantages of spiral and rectangular ducts in limited space requirements.



- Sound absorbing and thermal insulation.



- Solid or perforated inner liner.



- Performance rated from -20°C to 100 °C.



- Can be used for indoor and outdoor installation.



- Aesthetic design - an advantage for visible installation.



- Easier and faster to install.



- Can be installed in all weather conditions.

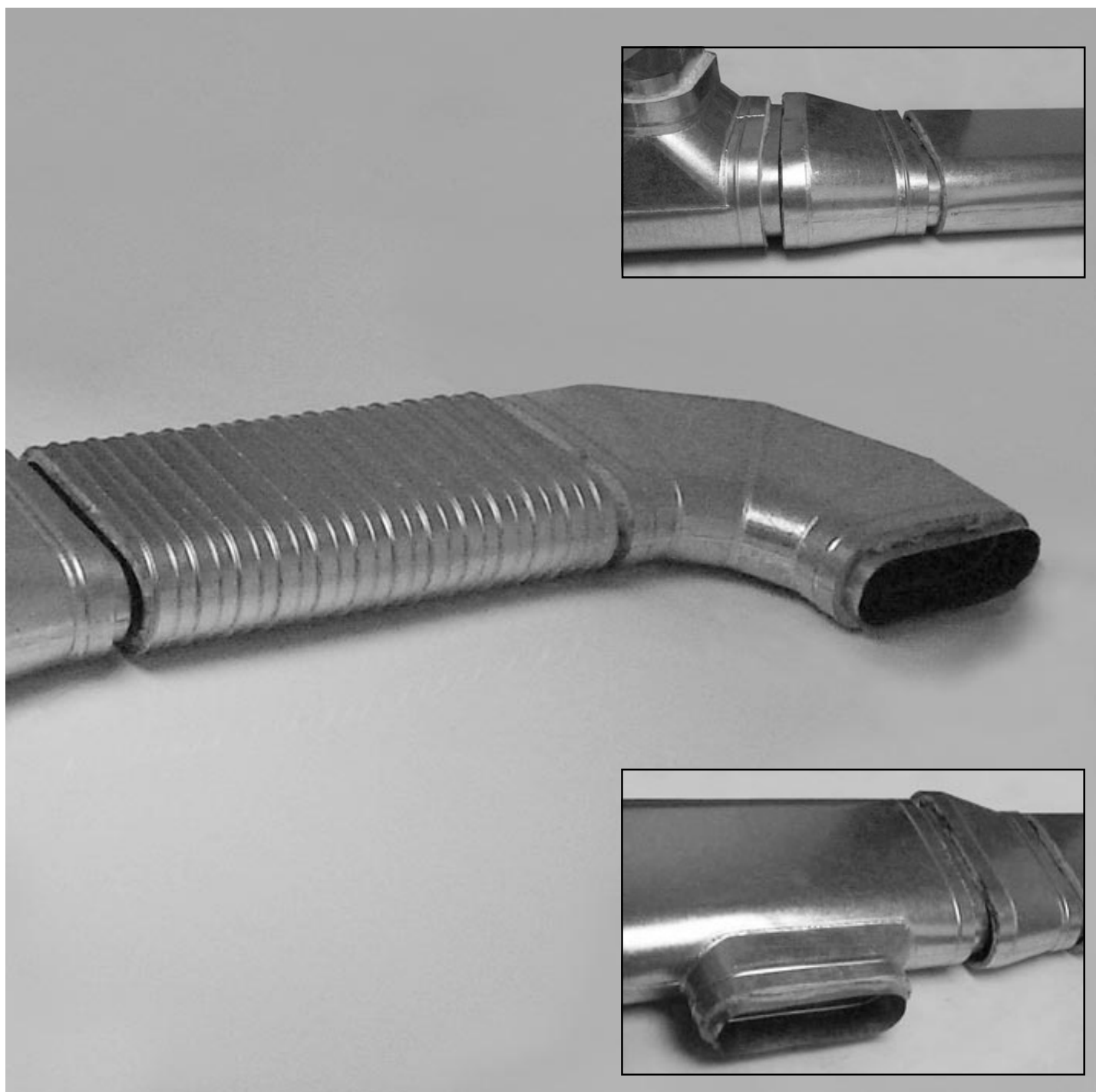


Right to alterations reserved.

# SafidOval Double Wall

## The SafidOval Double Wall System:

Covers a complete range of factory preinsulated oval duct and fittings in 25 or 50 mm insulation thickness for either thermal or acoustic performance, suitable for indoor or outdoor installations to cover all pressure requirements in accordance with SMACNA and DW 144 Standards.



- General
- SafidVent
- Lindab Safe
- Lindab Transfer
- Safid Double Wall
- SafidOval
- 7**  
**5**
- Safid Rectangular
- Safid Flexible
- Notes Standards
- Products & Accessories
- Lindab Comfort

Right to alterations reserved.

# SafidOval Double Wall

## Assembly Instructions

General

SafidVent

Lindab Safe

Lindab Transfer

Safid Double Wall

SafidOval

7  
6

Safid Rectangular

Safid Flexible

Notes Standards

Products &amp; Accessories

Lindab Comfort

### Description

SafidOval Double wall must be assembled according to these instructions:

#### BEFORE ASSEMBLY:

The duct must be free from dirt.

#### Assembly Instructions:

- Only use undamaged SafidOval double wall duct and fittings. Double wall duct must be cut at a right angle and carefully deburred.

- Slip the inner shell of the double wall fitting into the inner shell of the double wall flat oval duct. Use the inner shell extension to aid in guiding the outer shells together.

- Slip the outer shell of the double wall fitting into the outer shell of the double wall flat oval duct up to the bead.

- Fasten the duct and fitting together with self tapping sheet metal screws or pressure proof pop rivets.

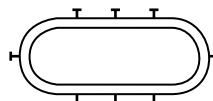
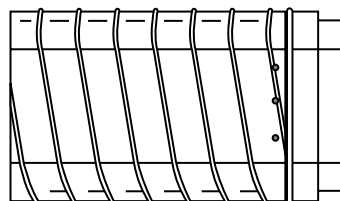
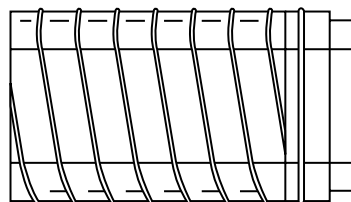
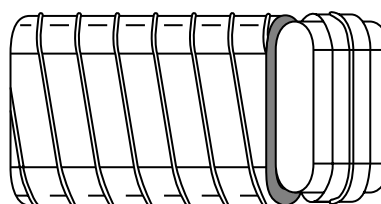
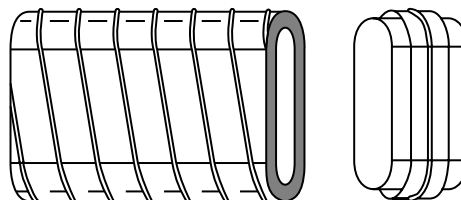
The following numbers and dimensions of steel screws and pop rivets are recommended:

circumference mm	min. diameter mm	number
1171 - 1222	3.2	4
1228 - 1829	4.0	6
1835 - 2442	4.0	8
2478 - 3043	4.0	10
3056 - 3671	4.8	12
3685 - 4171	4.8	14

Placement of the fastening screws should be opposite from one another evenly spaced around the circumference, much like the procedure for tightening lug nuts on a tire. Start where the distance between the duct and the fitting is largest. In event of incorrect installation, holes caused by screws or pop rivets must be sealed before re-assembly.

$$\text{Circumference} = (W-H) \times 2 + (H \times 3.1416)$$

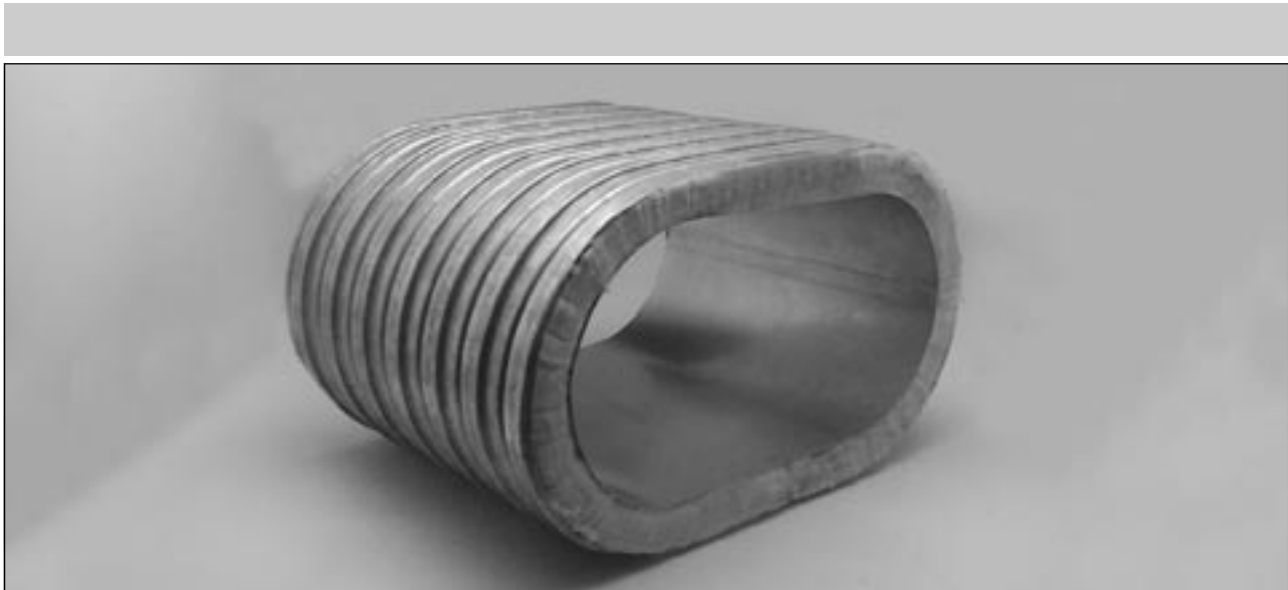
where: W = major dimension ; H = minor dimension



Right to alterations reserved.

# Safid Oval Double Wall

## Pre-insulated Flat Oval Duct Systems



### Application

For applications in which space restrictions prohibit the use of round duct, Safid offers double wall, flat oval duct in spiral lockseam and longitudinal seam constructions. Each piece is constructed of a solid metal pressure shell and a metal inner liner (either perforated or solid metal) with a layer of insulation sandwiched between. Flat oval duct provides a more efficient alternative to rectangular duct in these applications where space is restricted. Safid manufactures flat oval duct with the same techniques used to make round duct. As a result, flat oval duct shares many of the performance characteristics of round duct.

Spiral lockseam duct is constructed with an interlocking helical seam that runs the length of the duct's outer pressure shell. As with round spiral lockseam duct, the flat oval type combines efficient performance with a structural strength equal to that of heavier gauges of other types of duct.

Flat oval duct is available with a longitudinal seam construction for applications that require very heavy gauges or large sizes. The longitudinal seam of the ducts outer pressure shell is fully welded.

### Description

The SAFID double wall flat oval duct system is designed for use in places with restricted headroom and especially suitable for lengthy duct systems with relatively few branchings and outlets. The duct is made of galvanized spiral duct and supplied in 2 m length as standard.

Pre-insulated Flat oval ducts are available with a full range of matching fittings and accessories. Sizes are from 500mm x 150mm to 1700mm x 400mm (inner dimension). The flat oval represents the ultimate in ducting, combining the best properties of rectangular and round spiral ducts.

Standard products are normally (as per ASTM A653, lock forming quality) manufactured from hot dip, galvanized sheet or coil - all as specified in SMACNA and DW/142 sheet metal ductwork.

- Standard length = 2 meters
- Standard profile of inner & outer shell = PK
- Standard insulation thickness = 25 mm

General

SafidVent

Lindab Safe

Lindab Transfer

Safid Double Wall

SafidOval

7/7

Safid Rectangular

Safid Flexible

Notes Standards

Products & Accessories

Lindab Comfort

Right to alterations reserved.

# SafidOval Double Wall

## Spiral Flat Oval Duct & Fittings

## Construction & Standard Sizes

### Standard Sizes (for insulation thickness 25mm & 50 mm)

DUCT SIZE	FLAT OVAL DUCTS						FITTINGS AND SMKGS		
					INNER SHELL		OUTER SHELL		
	W	H	W	H	GAUGE		GAUGE		
INNER	OUTER	K	PK	K	PK	INNER GAUGE	OUTER GAUGE		
500	150	550	200	24	26	24	26	20	20
500	200	550	250	24	26	24	26	20	20
500	250	550	300	24	26	24	26	20	20
550	150	600	200	24	26	24	26	20	20
550	200	600	250	24	26	24	26	20	20
550	250	600	300	24	26	24	26	20	20
600	150	650	200	24	26	22	24	20	20
600	200	650	250	24	26	22	24	20	20
600	250	650	300	24	26	22	24	20	20
700	150	750	200	24	26	22	24	20	20
700	200	750	250	22	24	22	24	20	20
700	250	750	300	22	24	22	24	20	20
800	150	850	200	22	24	22	24	20	20
800	200	850	250	22	24	22	24	20	20
800	250	850	300	22	24	22	24	20	20
900	180	950	200	22	24	22	24	20	20
900	200	950	250	22	24	22	24	20	20
900	250	950	300	22	24	22	24	20	20
1000	150	1050	200	22	24	22	24	20	20
1000	200	1050	250	22	24	22	24	18	18
1000	250	1050	300	22	24	22	24	18	18
1100	150	1150	200	22	24	22	24	18	18
1100	200	1150	250	22	24	22	24	18	18
1100	250	1150	300	22	24	22	24	18	18
1200	150	1250	200	22	24	22	24	18	18
1200	200	1250	250	22	24	22	24	18	18
1200	250	1250	300	22	24	22	24	18	18
1200*	300	1300	400	20	22	20	22	18	18
1200*	400	1300	500	20	22	20	22	18	18
1300*	300	1400	400	20	22	20	22	18	18
1300*	400	1400	500	20	22	20	22	18	18
1400*	300	1500	400	20	22	20	22	18	18
1400*	400	1500	500	20	22	20	22	18	18
1500*	300	1600	400	20	22	20	22	18	18
1500*	400	1600	500	20	22	20	22	16	16
1600*	300	1700	400	20	22	20	22	16	16
1600*	400	1700	500	20	22	20	22	16	16
1700*	300	1800	400	20	22	20	22	16	16
1700*	400	1800	500	20	22	20	22	16	16

\* For 50 mm thk. insulation.

Right to alterations reserved.

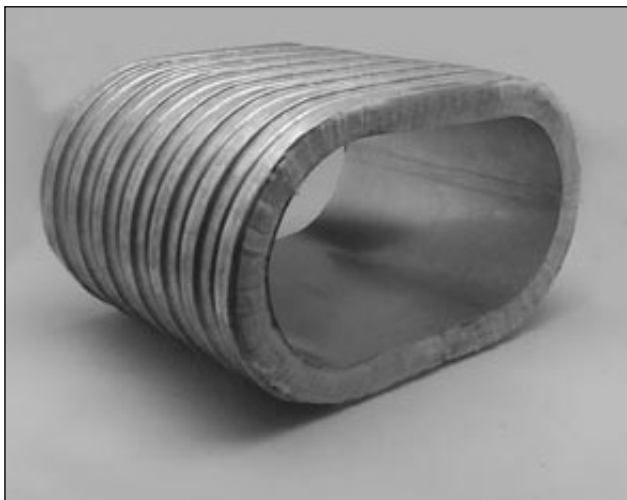


# SafidOval Double Wall

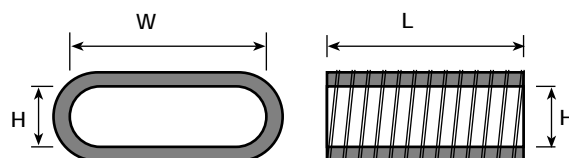
## Pre-insulated Spiral Seamed Duct

# SKGL SKGS

### SKGL



### Dimensions



### Description

**SKGL** - Thermal double wall duct.

- Outer shell : solid galvanized steel.
- Inner shell : solid galvanized steel.
- Insulation : 25 mm or 50 mm
- Insulation density : 24 kg/m<sup>3</sup> as standard, other densities available on request.

**SKGS** - Acoustical double wall duct.

- Outer shell : solid galvanized steel.
- Inner shell : perforated galvanized steel.
- Insulation : 25 mm or 50 mm
- Insulation density : 24 kg/m<sup>3</sup> as standard, other densities available on request.

Standard length is 2000 mm.

### Ordering

Product code: **SKGL** - **aaa** x **bbb**

Type \_\_\_\_\_  
W \_\_\_\_\_  
H \_\_\_\_\_

W mm	H mm (internal dimensions)
500	150
550	200
600	250
700	150
700	250
800	150
800	200
800	250
900	200
900	250
1000	200
1000	250
1100	200
1100	250
*1200	300
*1200	400
*1300	300
*1300	400
*1400	300
*1400	400
*1500	300
*1500	400

\* For 50 mm thk. Insulation.  
• For other available sizes (see page 8).

General

SafidVent

Lindab Safe

Lindab Transfer

Safid Double Wall

SafidOval

7  
9

Safid Rectangular

Safid Flexible

Notes Standards

Products & Accessories

Lindab Comfort

Right to alterations reserved.

# SafidOval Double Wall

## Pre-insulated Longitudinal Seamed Duct

# SMKGL SMKGS

General

SafidVent

Lindab Safe

Lindab Transfer

Safid Double Wall

SafidOval

7  
10

Safid Rectangular

Safid Flexible

Notes Standards

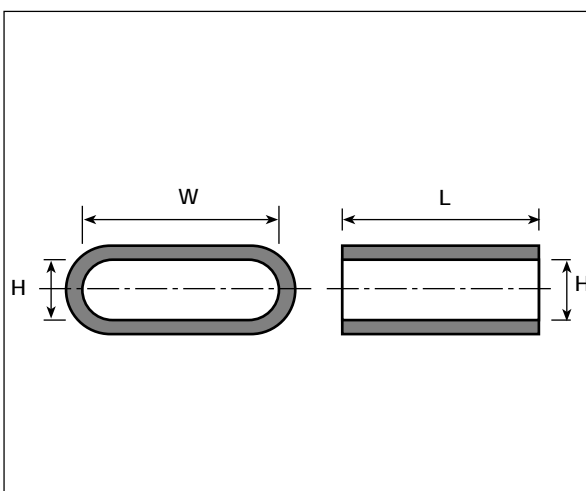
Products &amp; Accessories

Lindab Comfort

### SMKGL



### Dimensions



### Description

**SMKGL** - Thermal double wall duct.

- Outer shell : solid galvanized steel.
- Inner shell : solid galvanized steel.
- Insulation : 25 mm or 50 mm
- Insulation density : 24 kg/m<sup>3</sup> as standard, other densities available on request.

**SMKGS** - Acoustical double wall duct.

- Outer shell : solid galvanized steel.
- Inner shell : perforated galvanized steel.
- Insulation : 25 mm or 50 mm
- Insulation density : 24 kg/m<sup>3</sup> as standard, other densities available on request.

Standard length is 1000 mm.

### Ordering

Product code: **SMKGL** - **aaa** x **bbb**

Type \_\_\_\_\_  
W \_\_\_\_\_  
H \_\_\_\_\_

W mm	H mm	(internal dimensions)
500	150	
550	200	
600	250	
700	150	
700	250	
800	150	
800	200	
800	250	
900	200	
900	250	
1000	200	
1000	250	
1100	200	
1100	250	
*1200	300	
*1200	400	
*1300	300	
*1300	400	
*1400	300	
*1400	400	
*1500	300	
*1500	400	

\* For 50 mm thk. Insulation.  
• For other available sizes (see page 8).

Right to alterations reserved.

# SafidOval Double Wall

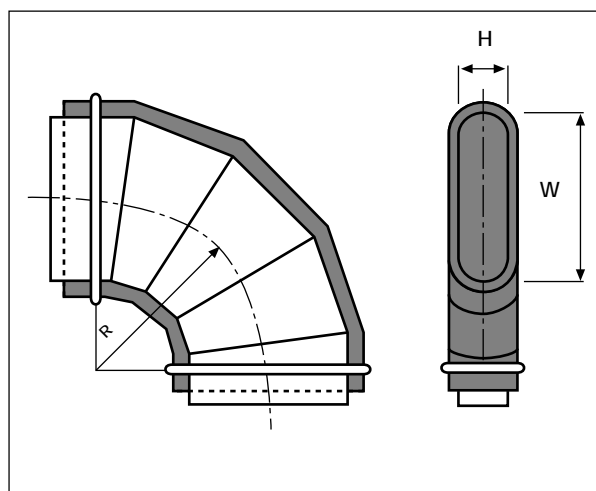
## Bend 90°, Hard Bend

## SKYVL/90° SKYVS/90°

### SKYVL/90°



### Dimensions



### Description

Segmented Five Section Hard Bend angle from 1° - 135°.

- Joints and seams by continuous seam or stitch welding.
- $R = 1.5W$ , 5-gore bend.
- $R = W$ , 4-gore bend.

SKYVL/90° - Thermal double wall  
90° bend, hard bend

SKYVS/90° - Acoustical double wall  
90° bend, hard bend

- Inner shell dimension in mm,  $W \times H$
- Insulation : 25 mm or 50 mm
- Insulation density : 24 kg/m<sup>3</sup> as standard, other densities available on request.

### Ordering

Product code: SKYVL/90 - aaa x bbb

Type \_\_\_\_\_  
W \_\_\_\_\_  
H \_\_\_\_\_

W mm	H mm	(internal dimensions)
500	150	
550	200	
600	250	
700	150	
700	250	
800	150	
800	200	
800	250	
900	200	
900	250	
1000	200	
1000	250	
1100	200	
1100	250	
*1200	300	
*1200	400	
*1300	300	
*1300	400	
*1400	300	
*1400	400	
*1500	300	
*1500	400	

- \* For 50 mm thk. Insulation.
- For other available sizes (see page 8).

General

SafidVent

Lindab Safe

Lindab Transfer

Safid Double Wall

SafidOval

7  
11

Safid Rectangular

Safid Flexible

Notes Standards

Products & Accessories

Lindab Comfort

Right to alterations reserved.

# SafidOval Double Wall

## Bend 90°, Easy Bend

## SKYPL/90° SKYPS/90°

General

SafidVent

Lindab Safe

Lindab  
TransferSafid  
Double Wall

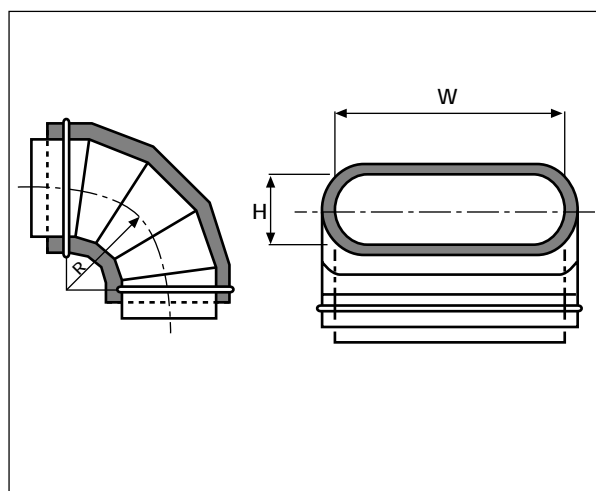
SafidOval

7  
12Safid  
RectangularSafid  
FlexibleNotes  
StandardsProducts &  
AccessoriesLindab  
Comfort

### SKYPL/90°



### Dimensions



### Description

Segmented Five Section Easy Bend angle from 1° - 90°.

- Joints and seams by continuous seam or stitch welding.
- $R = 1.5H$ , 5-gore bend.
- $R = H$ , 4-gore bend.

SKYPL/90° - Thermal double wall  
90° bend, easy bend

SKYVS/90° - Acoustical double wall  
90° bend, easy bend

- Inner shell dimension in mm,  $W \times H$
- Insulation : 25 mm or 50 mm
- Insulation density : 24 kg/m<sup>3</sup> as standard, other densities available on request.

### Ordering

Product code: **SKYPL/90** - **aaa** x **bbb**

Type \_\_\_\_\_  
W \_\_\_\_\_  
H \_\_\_\_\_

W mm	H mm	(internal dimensions)
500	150	
550	200	
600	250	
700	150	
700	250	
800	150	
800	200	
800	250	
900	200	
900	250	
1000	200	
1000	250	
1100	200	
1100	250	
*1200	300	
*1200	400	
*1300	300	
*1300	400	
*1400	300	
*1400	400	
*1500	300	
*1500	400	

- \* For 50 mm thk. Insulation.
- For other available sizes (see page 8).

Right to alterations reserved.

# SafidOval Double Wall

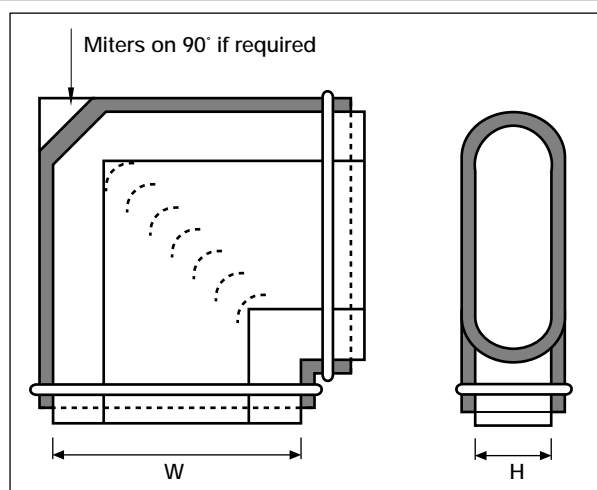
## Mitered Bend Hard

## SKYVML/90° SKYVMS/90°

### SKYVML/90°



### Dimensions



### Description

Mitered Hard Bend - angle from 1° - 90°.

- Joints and seams by continuous seam or stitch welding.

SKYVML/90° - Thermal double wall mitered hard bend

SKYVMS/90° - Acoustical double wall mitered hard bend

- Inner shell dimension in mm, W x H
- Insulation : 25 mm or 50 mm
- Insulation density : 24 kg/m<sup>3</sup> as standard, other densities available on request.

### Ordering

Product code: SKYVML/90° - aaa x bbb

Type \_\_\_\_\_  
W \_\_\_\_\_  
H \_\_\_\_\_

W mm	H mm	(internal dimensions)
500	150	
550	200	
600	250	
700	150	
700	250	
800	150	
800	200	
800	250	
900	200	
900	250	
1000	200	
1000	250	
1100	200	
1100	250	
*1200	300	
*1200	400	
*1300	300	
*1300	400	
*1400	300	
*1400	400	
*1500	300	
*1500	400	

- \* For 50 mm thk. Insulation.
- For other available sizes (see page 8).

General

SafidVent

Lindab Safe

Lindab Transfer

Safid Double Wall

SafidOval

7  
13

Safid Rectangular

Safid Flexible

Notes Standards

Products & Accessories

Lindab Comfort

Right to alterations reserved.

# SafidOval Double Wall

## Mitered Bend Easy

# SKYPML/90°

# SKYPMS/90°

General

SafidVent

Lindab Safe

Lindab Transfer

Safid Double Wall

SafidOval

7  
14

Safid Rectangular

Safid Flexible

Notes Standards

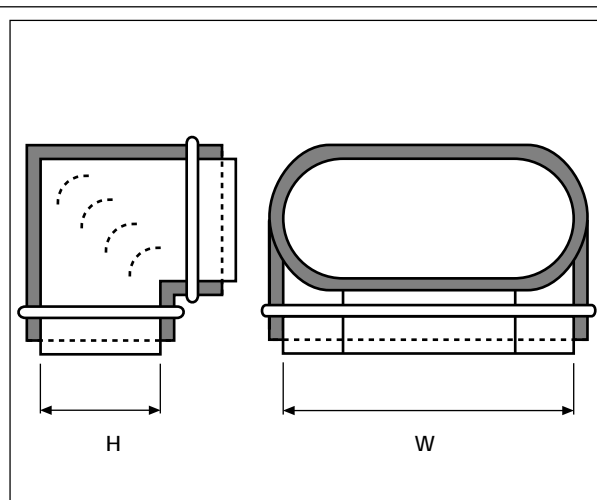
Products &amp; Accessories

Lindab Comfort

### SKYPML/90°



### Dimensions



### Description

SKYPML/90° - Thermal double wall mitered bend easy

SKYPMS/90° - Acoustical double wall mitered bend easy

- Inner shell dimension in mm, W x H
- Insulation : 25 mm or 50 mm
- Insulation density : 24 kg/m<sup>3</sup> as standard, other densities available on request.

W mm	H mm	(internal dimensions)
500	150	
550	200	
600	250	
700	150	
700	250	
800	150	
800	200	
800	250	
900	200	
900	250	
1000	200	
1000	250	
1100	200	
1100	250	
*1200	300	
*1200	400	
*1300	300	
*1300	400	
*1400	300	
*1400	400	
*1500	300	
*1500	400	

### Ordering

Product code: **SKYPML/90° - aaa x bbb**

Type \_\_\_\_\_  
 W \_\_\_\_\_  
 H \_\_\_\_\_

- \* For 50 mm thk. Insulation.
- For other available sizes (see page 8).

Right to alterations reserved.

# SafidOval Double Wall

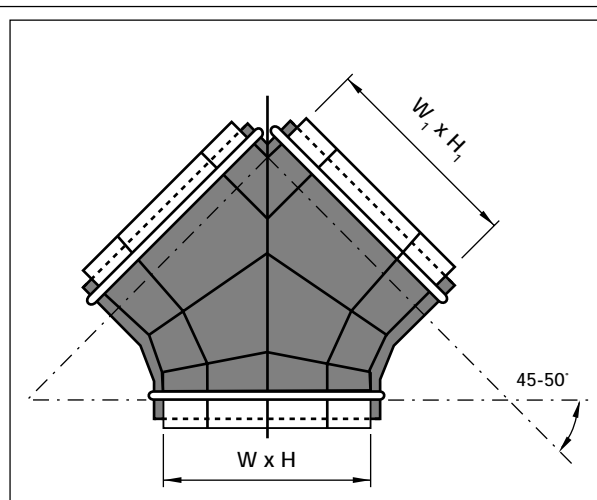
## Twin Bend

## SKKYL/45° - 50° SKKYS/45° - 50°

### SKKYL/45° - 50°



### Dimensions



### Description

Twin Bend - angle from 45° - 50°.

- Joints and seams by continuous seam or stitch welding.

SKKYL/45° - Thermal double wall twin bend

SKKYS/45° - Acoustical double wall twin bend

- Inner shell dimension in mm,  $W \times H$ ,  $W_1 \times H_1$
- Insulation : 25 mm or 50 mm
- Insulation density : 24 kg/m<sup>3</sup> as standard, other densities available on request.

### Ordering

Product code: **SKKYL/45° - aaa x bbb / ccc x ddd**

Type \_\_\_\_\_  
 W \_\_\_\_\_  
 H \_\_\_\_\_  
 W<sub>1</sub> \_\_\_\_\_  
 H<sub>1</sub> \_\_\_\_\_

W mm	H mm	W <sub>1</sub> mm	H <sub>1</sub> mm
500	150	500	150
550	200	550	200
600	250	600	250
700	150	700	150
700	250	700	250
800	150	800	150
800	200	800	200
800	250	800	250
900	200	900	200
900	250	900	250
1000	200	1000	200
1000	250	1000	250
1100	200	1100	200
1100	250	1100	250
*1200	300	1300	400
*1200	400	1300	500
*1300	300	1400	400
*1300	400	1400	500
*1400	300	1500	400
*1400	400	1500	500
*1500	300	1600	400
*1500	400	1600	500

- \* For 50 mm thk. Insulation.
- For other available sizes (see page 8).

General
SafidVent
Lindab Safe
Lindab Transfer
Safid Double Wall
SafidOval
<b>7</b> <b>15</b>
Safid Rectangular
Safid Flexible
Notes Standards
Products & Accessories
Lindab Comfort

Right to alterations reserved.

# SafidOval Double Wall

## Twin Bend

# SKKYL/51° - 135°

# SKKYS/51° - 135°

General

SafidVent

Lindab Safe

Lindab Transfer

Safid Double Wall

SafidOval

7  
16

Safid Rectangular

Safid Flexible

Notes Standards

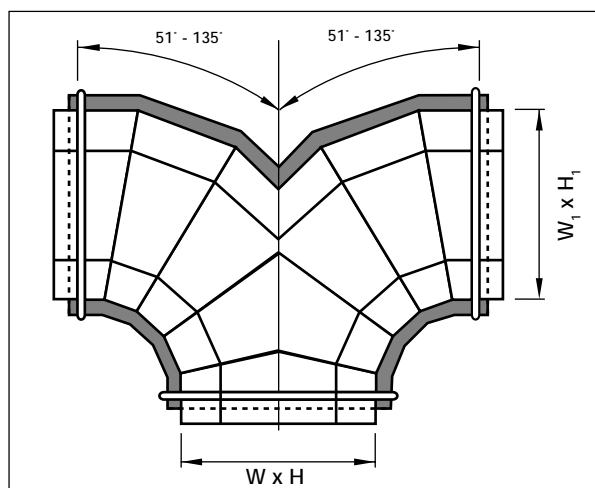
Products &amp; Accessories

Lindab Comfort

SKKYL/51° - 135°



### Dimensions



### Description

Twin Bend - angle 51° - 135°.

- Joints and seams by continuous seam or stitch welding.

SKKYL/90° - Thermal double wall twin bend

SKKYS/90° - Acoustical double wall twin bend

- Inner shell dimension in mm, W x H, W<sub>1</sub> x H<sub>1</sub>
- Insulation : 25 mm or 50 mm
- Insulation density : 24 kg/m<sup>3</sup> as standard, other densities available on request.

### Ordering

Product code: SKKYL/90° - aaa x bbb / ccc x ddd

Type \_\_\_\_\_  
 W \_\_\_\_\_  
 H \_\_\_\_\_  
 W<sub>1</sub> \_\_\_\_\_  
 H<sub>1</sub> \_\_\_\_\_

W mm	H mm	W <sub>1</sub> mm	H <sub>1</sub> mm
500	150	500	150
550	200	550	200
600	250	600	250
700	150	700	150
700	250	700	250
800	150	800	150
800	200	800	200
800	250	800	250
900	200	900	200
900	250	900	250
1000	200	1000	200
1000	250	1000	250
1100	200	1100	200
1100	250	1100	250
*1200	300	1300	400
*1200	400	1300	500
*1300	300	1400	400
*1300	400	1400	500
*1400	300	1500	400
*1400	400	1500	500
*1500	300	1600	400
*1500	400	1600	500

\* For 50 mm thk. Insulation.

• For other available sizes (see page 8).

Right to alterations reserved.



# SafidOval Double Wall

## Tee, Horizontal

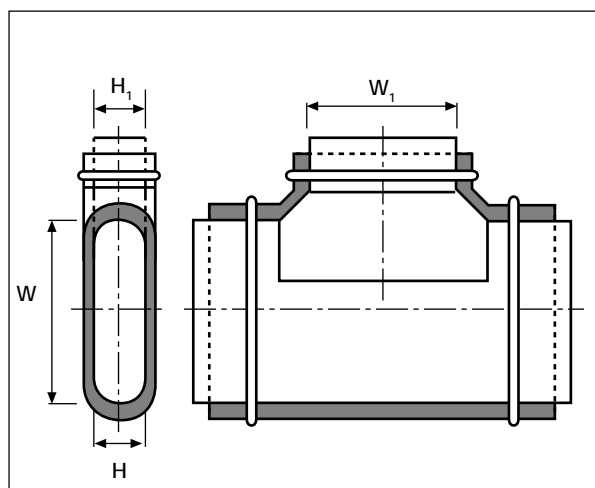
# STYVL

# STYVS

### STYVL



### Dimensions



### Description

Tee, horizontal.

- Joints and seams by continuous seam or stitch welding.

STYVL - Thermal double wall tee, horizontal

STYVS - Acoustical double wall tee, horizontal

- Inner shell dimension in mm,  $W \times H, W_1 \times H_1$
- Insulation : 25 mm or 50 mm
- Insulation density : 24 kg/m<sup>3</sup> as standard, other densities available on request.

### Ordering

Product code: STYVL - aaa x bbb / ccc x ddd

Type \_\_\_\_\_  
 W \_\_\_\_\_  
 H \_\_\_\_\_  
 W<sub>1</sub> \_\_\_\_\_  
 H<sub>1</sub> \_\_\_\_\_

W mm	H mm	W <sub>1</sub> mm	H <sub>1</sub> mm
500	150	500	150
550	200	550	200
600	250	600	250
700	150	700	150
700	250	700	250
800	150	800	150
800	200	800	200
800	250	800	250
900	200	900	200
900	250	900	250
1000	200	1000	200
1000	250	1000	250
1100	200	1100	200
1100	250	1100	250
*1200	300	1300	400
*1200	400	1300	500
*1300	300	1400	400
*1300	400	1400	500
*1400	300	1500	400
*1400	400	1500	500
*1500	300	1600	400
*1500	400	1600	500

- \* For 50 mm thk. Insulation.
- For other available sizes (see page 8).

General

SafidVent

Lindab Safe

Lindab Transfer

Safid Double Wall

SafidOval

7  
17

Safid Rectangular

Safid Flexible

Notes Standards

Products & Accessories

Lindab Comfort

Right to alterations reserved.

# SafidOval Double Wall

## Tee, Vertical

# STYPL

# STYPS

General

SafidVent

Lindab Safe

Lindab  
TransferSafid  
Double Wall

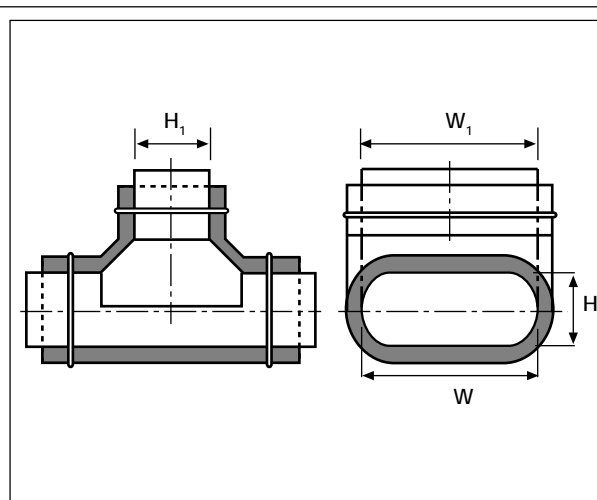
SafidOval

7  
18Safid  
RectangularSafid  
FlexibleNotes  
StandardsProducts &  
AccessoriesLindab  
Comfort

### STYPL



### Dimensions



### Description

Tee, vertical.

- Joints and seams by continuous seam or stitch welding.

STYPL - Thermal double wall tee, vertical

STYPS - Acoustical double wall tee, vertical

- Inner shell dimension in mm,  $W \times H$ ,  $W_1 \times H_1$   
 - Insulation : 25 mm or 50 mm  
 - Insulation density : 24 kg/m<sup>3</sup> as standard, other densities available on request.

W mm	H mm	W <sub>1</sub> mm	H <sub>1</sub> mm
500	150	500	150
550	200	550	200
600	250	600	250
700	150	700	150
700	250	700	250
800	150	800	150
800	200	800	200
800	250	800	250
900	200	900	200
900	250	900	250
1000	200	1000	200
1000	250	1000	250
1100	200	1100	200
1100	250	1100	250
*1200	300	1300	400
*1200	400	1300	500
*1300	300	1400	400
*1300	400	1400	500
*1400	300	1500	400
*1400	400	1500	500
*1500	300	1600	400
*1500	400	1600	500

### Ordering

Product code: **STYPL - aaa x bbb / ccc x ddd**

Type \_\_\_\_\_  
 W \_\_\_\_\_  
 H \_\_\_\_\_  
 W<sub>1</sub> \_\_\_\_\_  
 H<sub>1</sub> \_\_\_\_\_

\* For 50 mm thk. Insulation.  
 • For other available sizes (see page 8).

Right to alterations reserved.

# SafidOval Double Wall

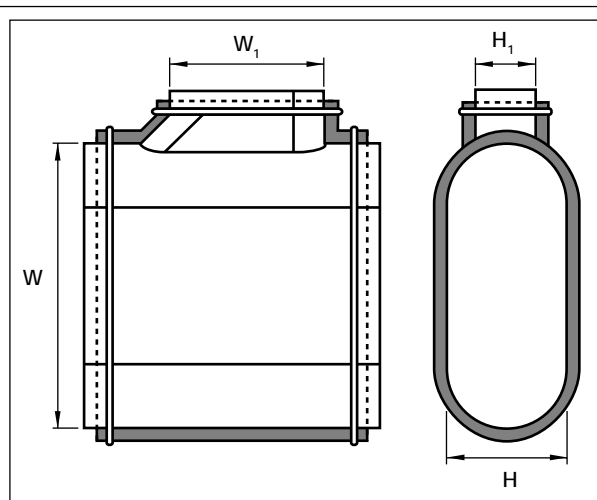
## Tee Boot

## STYVBL STYVBS

### STYVBL



### Dimensions



### Description

Tee Boot.

- Joints and seams by continuous seam or stitch welding.

STYVBL - Thermal double wall tee boot

STYVBS - Acoustical double wall tee boot

- Inner shell dimension in mm,  $W \times H$ ,  $W_1 \times H_1$

- Insulation : 25 mm or 50 mm

- Insulation density : 24 kg/m<sup>3</sup> as standard, other densities available on request.

### Ordering

Product code: **STYVBL - aaa x bbb / ccc x ddd**

Type \_\_\_\_\_  
 W \_\_\_\_\_  
 H \_\_\_\_\_  
 W<sub>1</sub> \_\_\_\_\_  
 H<sub>1</sub> \_\_\_\_\_

W mm	H mm	W <sub>1</sub> mm	H <sub>1</sub> mm
500	150	500	150
550	200	550	200
600	250	600	250
700	150	700	150
700	250	700	250
800	150	800	150
800	200	800	200
800	250	800	250
900	200	900	200
900	250	900	250
1000	200	1000	200
1000	250	1000	250
1100	200	1100	200
1100	250	1100	250
*1200	300	1300	400
*1200	400	1300	500
*1300	300	1400	400
*1300	400	1400	500
*1400	300	1500	400
*1400	400	1500	500
*1500	300	1600	400
*1500	400	1600	500

\* For 50 mm thk. Insulation.

• For other available sizes (see page 8).

General

SafidVent

Lindab Safe

Lindab Transfer

Safid Double Wall

SafidOval

7  
19

Safid Rectangular

Safid Flexible

Notes Standards

Products & Accessories

Lindab Comfort

Right to alterations reserved.

# SafidOval Double Wall

Lateral Tee, Round Branch

STYPL/45° - 90°

STYVPS/45° - 90°

General

SafidVent

Lindab Safe

Lindab Transfer

Safid Double Wall

SafidOval

7  
20

Safid Rectangular

Safid Flexible

Notes Standards

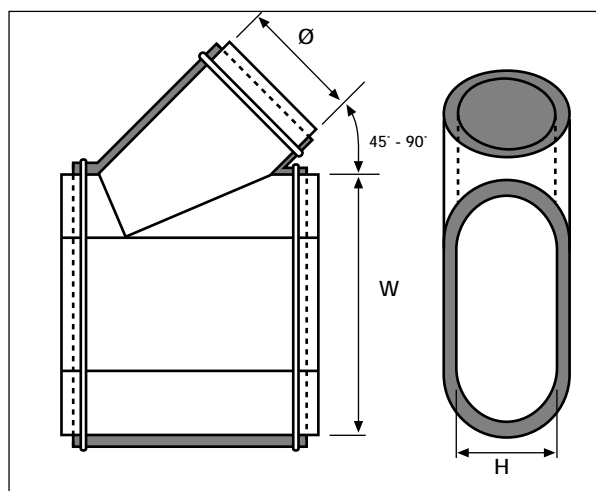
Products & Accessories

Lindab Comfort

## STYPL/45° - 90°



## Dimensions



## Description

Lateral Tee - 45° - 90°.

- Joints and seams by continuous seam or stitch welding.

STYVPL/45° - Thermal double wall lateral tee, round branch

STYVPS/45° - Acoustical double wall lateral tee, round branch

- Inner shell dimension in mm, W x H, d
- Insulation : 25 mm or 50 mm
- Insulation density : 24 kg/m<sup>3</sup> as standard, other densities available on request.

## Ordering

Product code: STYPL/45° - aaa x bbb / ccc

Type \_\_\_\_\_  
 W \_\_\_\_\_  
 H \_\_\_\_\_  
 Ød \_\_\_\_\_

W mm	H mm	Ød mm
500	150	150
550	200	200
600	250	250
700	150	150
700	250	250
800	150	150
800	200	200
800	250	250
900	200	200
900	250	250
1000	200	200
1000	250	250
1100	200	200
1100	250	250
*1200	300	300
*1200	400	400
*1300	300	300
*1300	400	400
*1400	300	300
*1400	400	400
*1500	300	300
*1500	400	400

- \* For 50 mm thk. Insulation.
- For other available sizes (see page 8).

Right to alterations reserved.

# Safid Oval Double Wall

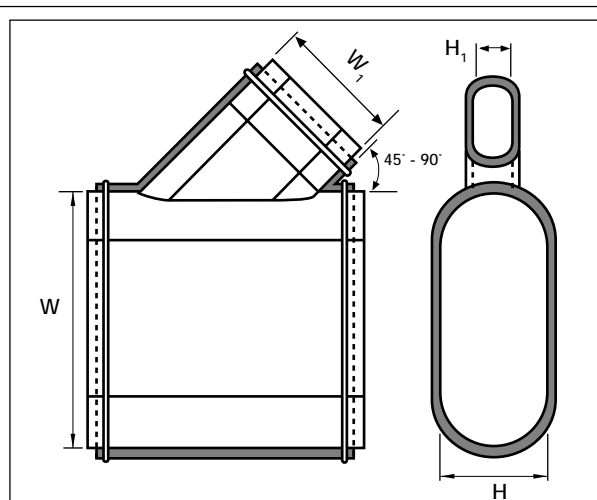
Lateral Tee, Flat  
Oval Branch

STYVSL/45° - 90°  
STYVSS/45° - 90°

STYVSL/45° - 90°



Dimensions



## Description

Lateral Tee - 45° - 90°.

- Joints and seams by continuous seam or stitch welding.

STYVSL/45° - Thermal double wall lateral tee, flat oval branch

STYVSS/45° - Acoustical double wall lateral tee, flat oval branch

- Inner shell dimension in mm, W x H, W<sub>1</sub> x H<sub>1</sub>
- Insulation : 25 mm or 50 mm
- Insulation density : 24 kg/m<sup>3</sup> as standard, other densities available on request.

## Ordering

Product code: STYVSL/45° - aaa x bbb / ccc x ddd

Type \_\_\_\_\_  
W \_\_\_\_\_  
H \_\_\_\_\_  
W<sub>1</sub> \_\_\_\_\_  
H<sub>1</sub> \_\_\_\_\_

W mm	H mm	W <sub>1</sub> mm	H <sub>1</sub> mm
500	150	500	150
550	200	550	200
600	250	600	250
700	150	700	150
700	250	700	250
800	150	800	150
800	200	800	200
800	250	800	250
900	200	900	200
900	250	900	250
1000	200	1000	200
1000	250	1000	250
1100	200	1100	200
1100	250	1100	250
*1200	300	1300	400
*1200	400	1300	500
*1300	300	1400	400
*1300	400	1400	500
*1400	300	1500	400
*1400	400	1500	500
*1500	300	1600	400
*1500	400	1600	500

- \* For 50 mm thk. Insulation.
- For other available sizes (see page 8).

General

SafidVent

Lindab Safe

Lindab Transfer

Safid Double Wall

SafidOval

7  
21

Safid Rectangular

Safid Flexible

Notes Standards

Products & Accessories

Lindab Comfort

Right to alterations reserved.

# SafidOval Double Wall

## Reducer, eccentric

# SMYOL SMYOS

General

SafidVent

Lindab Safe

Lindab  
Transfer

Safid  
Double Wall

SafidOval

7  
22

Safid  
Rectangular

Safid  
Flexible

Notes  
Standards

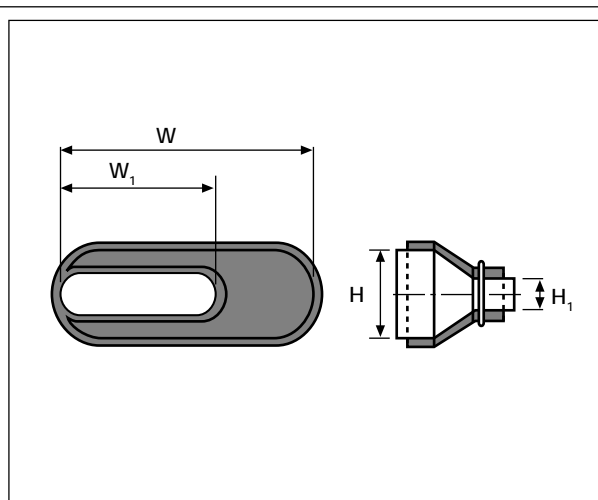
Products &  
Accessories

Lindab  
Comfort

### SMYOL



### Dimensions



### Description

Reducer, eccentric.

- Joints and seams by continuous seam or stitch welding.

SMYOL - Thermal double wall reducer, eccentric  
SMYOS - Acoustical double wall reducer, eccentric

- Inner shell dimension in mm,  $W \times H, W_1 \times H_1$
- Insulation : 25 mm or 50 mm
- Insulation density : 24 kg/m<sup>3</sup> as standard, other densities available on request.

### Ordering

Product code: SMYOL - aaa x bbb / ccc x ddd

Type \_\_\_\_\_  
W \_\_\_\_\_  
H \_\_\_\_\_  
W<sub>1</sub> \_\_\_\_\_  
H<sub>1</sub> \_\_\_\_\_

W mm	H mm	W <sub>1</sub> mm	H <sub>1</sub> mm
500	150	500	150
550	200	550	200
600	250	600	250
700	150	700	150
700	250	700	250
800	150	800	150
800	200	800	200
800	250	800	250
900	200	900	200
900	250	900	250
1000	200	1000	200
1000	250	1000	250
1100	200	1100	200
1100	250	1100	250
*1200	300	1300	400
*1200	400	1300	500
*1300	300	1400	400
*1300	400	1400	500
*1400	300	1500	400
*1400	400	1500	500
*1500	300	1600	400
*1500	400	1600	500

- \* For 50 mm thk. Insulation.
- For other available sizes (see page 8).

Right to alterations reserved.

# SafidOval Double Wall

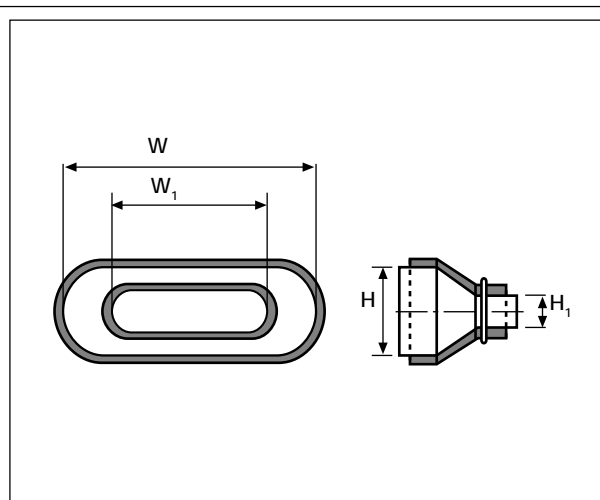
## Reducer, centric

# SMYL SMYS

### SMYL



### Dimensions



### Description

Reducer, centric.

- Joints and seams by continuous seam or stitch welding.

SMYL - Thermal double wall reducer, centric

SMYS - Acoustical double wall reducer, centric

- Inner shell dimension in mm,  $W \times H, W_1 \times H_1$

- Insulation : 25 mm or 50 mm

- Insulation density : 24 kg/m<sup>3</sup> as standard, other densities available on request.

### Ordering

Product code: **SMYL - aaa x bbb / ccc x ddd**

Type \_\_\_\_\_  
 W \_\_\_\_\_  
 H \_\_\_\_\_  
 W<sub>1</sub> \_\_\_\_\_  
 H<sub>1</sub> \_\_\_\_\_

W mm	H mm	W <sub>1</sub> mm	H <sub>1</sub> mm
500	150	500	150
550	200	550	200
600	250	600	250
700	150	700	150
700	250	700	250
800	150	800	150
800	200	800	200
800	250	800	250
900	200	900	200
900	250	900	250
1000	200	1000	200
1000	250	1000	250
1100	200	1100	200
1100	250	1100	250
*1200	300	1300	400
*1200	400	1300	500
*1300	300	1400	400
*1300	400	1400	500
*1400	300	1500	400
*1400	400	1500	500
*1500	300	1600	400
*1500	400	1600	500

\* For 50 mm thk. Insulation.

• For other available sizes (see page 8).

General

SafidVent

Lindab Safe

Lindab Transfer

Safid Double Wall

SafidOval

7  
23

Safid Rectangular

Safid Flexible

Notes Standards

Products & Accessories

Lindab Comfort

Right to alterations reserved.

# SafidOval Double Wall

## Reducer, centric - eccentric

# SMYKL SMYKS

General

SafidVent

Lindab Safe

Lindab Transfer

Safid Double Wall

SafidOval

7  
24

Safid Rectangular

Safid Flexible

Notes Standards

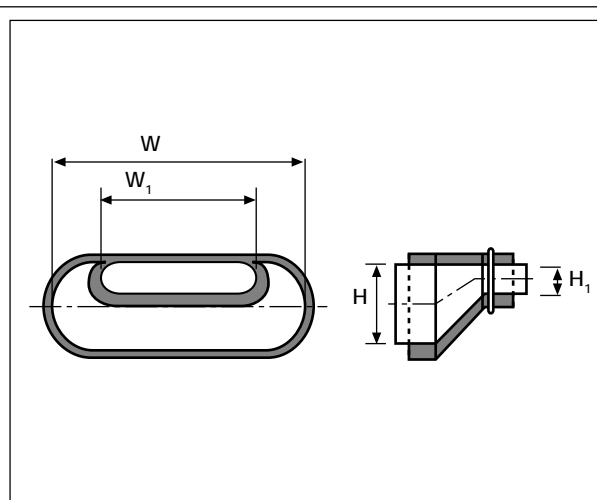
Products &amp; Accessories

Lindab Comfort

### SMYKL



### Dimensions



### Description

Reducer, centric - eccentric.

- Joints and seams by continuous seam or stitch welding.

SMYKL - Thermal double wall reducer, centric - eccentric

SMYKS - Acoustical double wall reducer, centric - eccentric

- Inner shell dimension in mm,  $W \times H$ ,  $W_1 \times H_1$   
 - Insulation : 25 mm or 50 mm  
 - Insulation density : 24 kg/m<sup>3</sup> as standard, other densities available on request.

### Ordering

Product code: SMYKL - aaa x bbb / ccc x ddd

Type \_\_\_\_\_  
 W \_\_\_\_\_  
 H \_\_\_\_\_  
 W<sub>1</sub> \_\_\_\_\_  
 H<sub>1</sub> \_\_\_\_\_

W mm	H mm	W <sub>1</sub> mm	H <sub>1</sub> mm
500	150	500	150
550	200	550	200
600	250	600	250
700	150	700	150
700	250	700	250
800	150	800	150
800	200	800	200
800	250	800	250
900	200	900	200
900	250	900	250
1000	200	1000	200
1000	250	1000	250
1100	200	1100	200
1100	250	1100	250
*1200	300	1300	400
*1200	400	1300	500
*1300	300	1400	400
*1300	400	1400	500
*1400	300	1500	400
*1400	400	1500	500
*1500	300	1600	400
*1500	400	1600	500

\* For 50 mm thk. Insulation.

• For other available sizes (see page 8).

Right to alterations reserved.



# SafidOval Double Wall

## Transition, Round to Oval

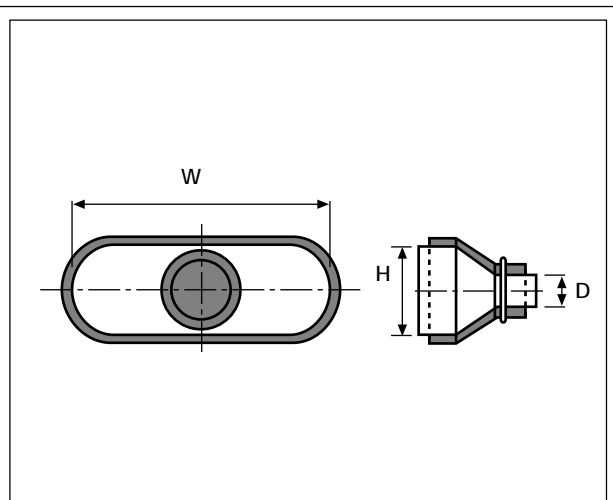
# SMYPL

# SMYPS

### SMYPL



### Dimensions



### Description

Transition, flat oval to round.

- Joints and seams by continuous seam or stitch welding.

SMYPL - Thermal double wall transition, round to oval  
 SMYPS - Acoustical double wall transition, round to oval

- Inner shell dimension in mm, W x H, d
- Insulation : 25 mm or 50 mm
- Insulation density : 24 kg/m<sup>3</sup> as standard, other densities available on request.

### Ordering

Product code: **SMYPL** - **aaa** x **bbb** / **ccc**

Type \_\_\_\_\_  
 W \_\_\_\_\_  
 H \_\_\_\_\_  
 °d \_\_\_\_\_

W mm	H mm	°d mm
500	150	150
550	200	200
600	250	250
700	150	150
700	250	250
800	150	150
800	200	200
800	250	250
900	200	200
900	250	250
1000	200	200
1000	250	250
1100	200	200
1100	250	250
*1200	300	300
*1200	400	400
*1300	300	300
*1300	400	400
*1400	300	300
*1400	400	400
*1500	300	300
*1500	400	400

\* For 50 mm thk. Insulation.  
 • For other available sizes (see page 8).

- General
- SafidVent
- Lindab Safe
- Lindab Transfer
- Safid Double Wall
- SafidOval
- 7**  
**25**
- Safid Rectangular
- Safid Flexible
- Notes Standards
- Products & Accessories
- Lindab Comfort

Right to alterations reserved.

# SafidOval Double Wall

## Transition, Square to Oval

# SMYRL SMYRS

General

SafidVent

Lindab Safe

Lindab  
TransferSafid  
Double Wall

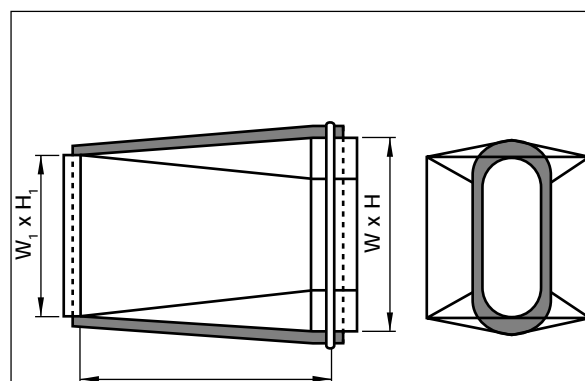
SafidOval

7  
26Safid  
RectangularSafid  
FlexibleNotes  
StandardsProducts &  
AccessoriesLindab  
Comfort

### SMYRL



### Dimensions



Length: Customer to specify up to 900 mm

Longer lengths available on request

### Description

Concentric and eccentric  
Square to Oval Transformation.

- Joints and seams by continuous seam or stitch welding.

SMYRL - Thermal double wall transition, square to oval, eccentric - centric

SMYRS - Acoustical double wall transition, square to oval, eccentric - centric

- Inner shell dimension in mm,  $W \times H$ ,  $W_1 \times H_1$
- Insulation : 25 mm or 50 mm
- Insulation density : 24 kg/m<sup>3</sup> as standard, other densities available on request.

### Ordering

Product code: SMYRL - aaa x bbb / ccc x ddd

Type \_\_\_\_\_  
 W \_\_\_\_\_  
 H \_\_\_\_\_  
 W<sub>1</sub> \_\_\_\_\_  
 H<sub>1</sub> \_\_\_\_\_

W mm	H mm	W <sub>1</sub> mm	H <sub>1</sub> mm
500	150	500	150
550	200	550	200
600	250	600	250
700	150	700	150
700	250	700	250
800	150	800	150
800	200	800	200
800	250	800	250
900	200	900	200
900	250	900	250
1000	200	1000	200
1000	250	1000	250
1100	200	1100	200
1100	250	1100	250
*1200	300	1300	400
*1200	400	1300	500
*1300	300	1400	400
*1300	400	1400	500
*1400	300	1500	400
*1400	400	1500	500
*1500	300	1600	400
*1500	400	1600	500

\* For 50 mm thk. Insulation.

• For other available sizes (see page 8).

Right to alterations reserved.

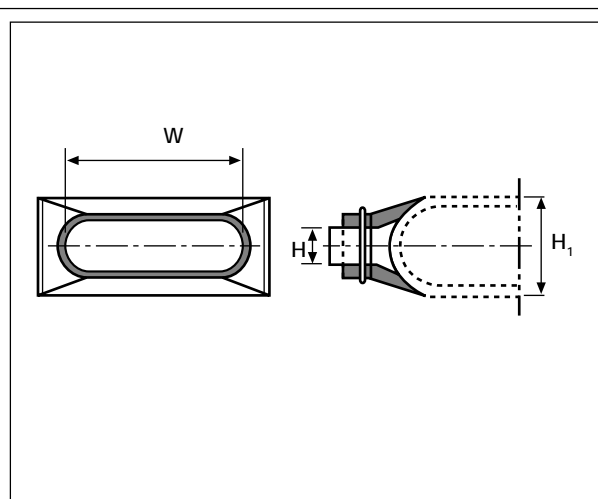
# SafidOval Double Wall Collar Saddle

## SLKPL SLKPS

### SLKPL



### Dimensions



### Description

Collar Saddle.

- Joints and seams by continuous seam or stitch welding.

SLKPL - Thermal double wall collar saddle

SLKPS - Acoustical double wall collar saddle

- Inner shell dimension in mm, W x H, H<sub>1</sub>
- Insulation : 25 mm or 50 mm
- Insulation density : 24 kg/m<sup>3</sup> as standard, other densities available on request.

### Ordering

Product code: SLKPL - aaa / bbb x ccc

Type \_\_\_\_\_  
 H<sub>1</sub> \_\_\_\_\_  
 W \_\_\_\_\_  
 H \_\_\_\_\_

H <sub>1</sub> mm	W mm	H mm
200	500	150
250	550	200
300	600	250
200	700	150
300	700	250
200	800	150
250	800	200
300	800	250
250	900	200
300	900	250
250	1000	200
300	1000	250
250	1100	200
300	1100	250
*400	1200	300
*500	1200	400
*400	1300	300
*500	1300	400
*400	1400	300
*500	1500	400
*400	1600	300
*500	1600	400

- \* For 50 mm thk. Insulation.
- For other available sizes (see page 8).

General

SafidVent

Lindab Safe

Lindab Transfer

Safid Double Wall

SafidOval

7  
27

Safid Rectangular

Safid Flexible

Notes Standards

Products & Accessories

Lindab Comfort

Right to alterations reserved.

# SafidOval Double Wall Offset

## SOFL SOFS

General

SafidVent

Lindab Safe

Lindab  
TransferSafid  
Double Wall

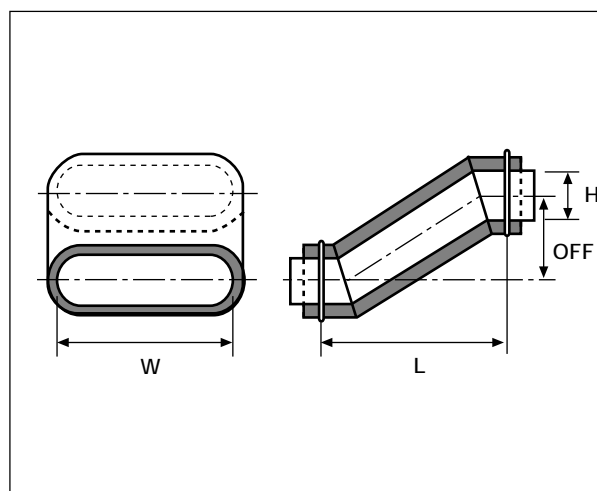
SafidOval

7  
28Safid  
RectangularSafid  
FlexibleNotes  
StandardsProducts &  
AccessoriesLindab  
Comfort

### SOFL



### Dimensions



### Description

Offset.

- Joints and seams by continuous seam or stitch welding.

SOFL - Thermal double wall offset

SOFS - Acoustical double wall offset

- Inner shell dimension in mm, W x H
- Insulation : 25 mm or 50 mm
- Insulation density : 24 kg/m<sup>3</sup> as standard, other densities available on request.

### Ordering

Product code: SOFL - aaa x bbb / ccc

Type \_\_\_\_\_  
W \_\_\_\_\_  
H \_\_\_\_\_  
OFF \_\_\_\_\_

W mm	H mm	off mm	L mm
500	150	200	459
550	200	200	473
600	250	300	658
700	150	200	459
700	250	300	658
800	150	200	459
800	200	200	473
800	250	300	658
900	200	200	473
900	250	300	658
1000	200	200	473
1000	250	300	658
1100	200	200	473
1100	250	300	658
*1200	300	200	473
*1200	400	300	658
*1300	300	200	473
*1300	400	300	658
*1400	300	200	473
*1400	400	200	473
*1500	300	200	473
*1500	400	300	658

\* For 50 mm thk. Insulation.

• For other available sizes (see page 8).

Right to alterations reserved.

# SafidOval Double Wall

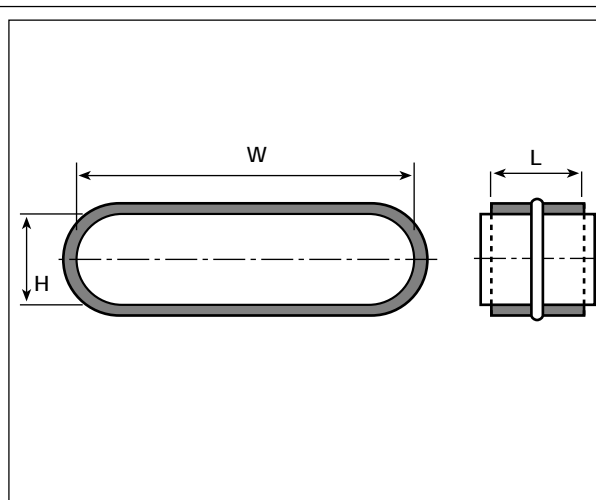
## Coupling, male

# SLYPL SLYPS

### SLYPL



### Dimensions



### Description

Coupling, male.

- Joints and seams by continuous seam or stitch welding.

SLYPL - Thermal double wall male coupling  
SLYPS - Acoustical double wall male coupling

- Inner shell dimension in mm, W x H
- Insulation : 25 mm or 50 mm
- Insulation density : 24 kg/m<sup>3</sup> as standard, other densities available on request.

### Ordering

Product code: **SLYPL** - **aaa** x **bbb**

Type \_\_\_\_\_  
W \_\_\_\_\_  
H \_\_\_\_\_

W mm	H mm	L mm	(internal dimensions)
500	150	100	
550	200	100	
600	250	100	
700	150	100	
700	250	100	
800	150	100	
800	200	100	
800	250	100	
900	200	100	
900	250	100	
1000	200	100	
1000	250	100	
1100	200	100	
1100	250	100	
*1200	300	100	
*1200	400	100	
*1300	300	100	
*1300	400	100	
*1400	300	100	
*1400	400	100	
*1500	300	100	
*1500	400	100	

- \* For 50 mm thk. Insulation.
- For other available sizes (see page 8).

General

SafidVent

Lindab Safe

Lindab  
Transfer

Safid  
Double Wall

SafidOval

7  
29

Safid  
Rectangular

Safid  
Flexible

Notes  
Standards

Products &  
Accessories

Lindab  
Comfort

Right to alterations reserved.

# SafidOval Double Wall

## Coupling, female

# SLYOL SLYOS

General

SafidVent

Lindab Safe

Lindab  
TransferSafid  
Double Wall

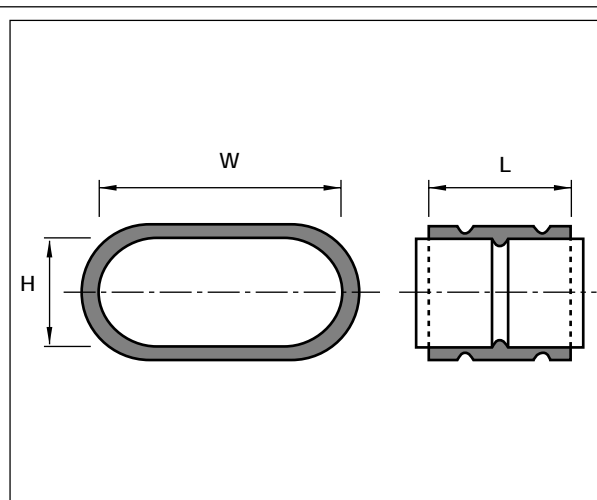
SafidOval

7  
30Safid  
RectangularSafid  
FlexibleNotes  
StandardsProducts &  
AccessoriesLindab  
Comfort

### SLYOL



### Dimensions



### Description

Coupling, female.

- Joints and seams by continuous seam or stitch welding.

SLYOL - Thermal double wall female coupling

SLYOS - Acoustical double wall female coupling

- Inner shell dimension in mm, W x H
- Insulation : 25 mm or 50 mm
- Insulation density : 24 kg/m<sup>3</sup> as standard, other densities available on request.

### Ordering

Product code: SLYOL - aaa x bbb

Type \_\_\_\_\_  
W \_\_\_\_\_  
H \_\_\_\_\_

W mm	H mm	L mm	(internal dimensions)
500	150	200	
550	200	200	
600	250	200	
700	150	200	
700	250	200	
800	150	200	
800	200	200	
800	250	200	
900	200	200	
900	250	200	
1000	200	200	
1000	250	200	
1100	200	200	
1100	250	200	
*1200	300	200	
*1200	400	200	
*1300	300	200	
*1300	400	200	
*1400	300	200	
*1400	400	200	
*1500	300	200	
*1500	400	200	

- \* For 50 mm thk. Insulation.
- For other available sizes (see page 8).

Right to alterations reserved.

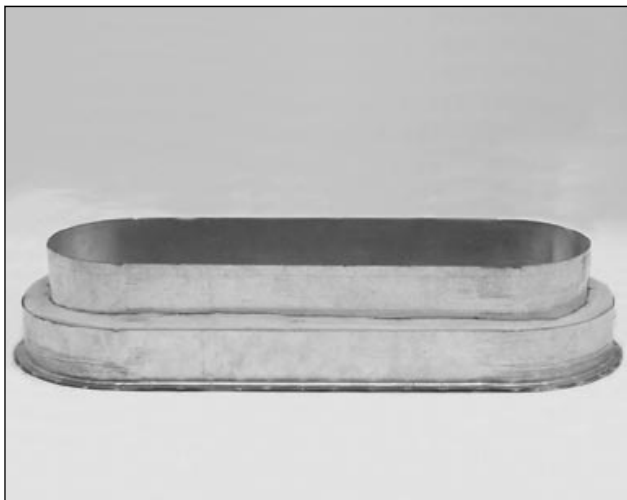
# SafidOval Double Wall

## End Cap

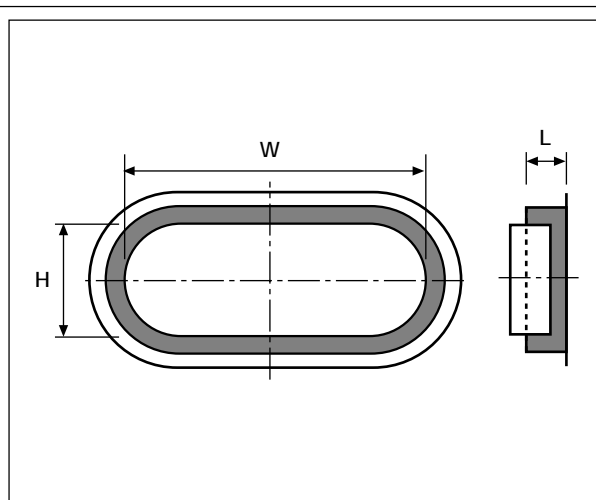
# STPL

# STPS

### STPL



### Dimensions



### Description

End cap.

- Joints and seams by continuous seam or stitch welding.

STPL - Thermal double wall end cap

STPS - Acoustical double wall end cap

- Inner shell dimension in mm, W x H
- Insulation : 25 mm or 50 mm
- Insulation density : 24 kg/m<sup>3</sup> as standard, other densities available on request.

### Ordering

Product code: **STPL** - **aaa** x **bbb**

Type \_\_\_\_\_  
 W \_\_\_\_\_  
 H \_\_\_\_\_

W mm	H mm	L mm	(internal dimensions)
500	150	50	
550	200	50	
600	250	50	
700	150	50	
700	250	50	
800	150	50	
800	200	50	
800	250	50	
900	200	50	
900	250	50	
1000	200	50	
1000	250	50	
1100	200	50	
1100	250	50	
*1200	300	50	
*1200	400	50	
*1300	300	50	
*1300	400	50	
*1400	300	50	
*1400	400	50	
*1500	300	50	
*1500	400	50	

- \* For 50 mm thk. Insulation.
- For other available sizes (see page 8).

General

SafidVent

Lindab Safe

Lindab Transfer

Safid Double Wall

SafidOval

7  
31

Safid Rectangular

Safid Flexible

Notes Standards

Products & Accessories

Lindab Comfort

Right to alterations reserved.

# SafidOval Double Wall

## Take Off

# SLKTL SLKTS

General

SafidVent

Lindab Safe

Lindab  
TransferSafid  
Double Wall

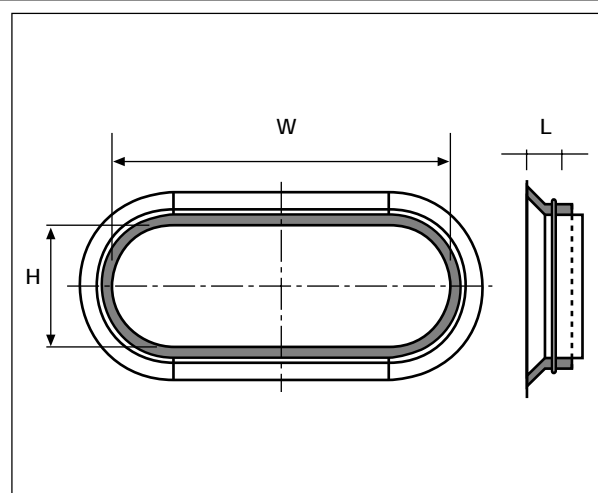
SafidOval

7  
32Safid  
RectangularSafid  
FlexibleNotes  
StandardsProducts &  
AccessoriesLindab  
Comfort

### SLKTL



### Dimensions



### Description

Take off.

- Joints and seams by continuous seam or stitch welding.

SLKTL - Thermal double wall take-off

SLKTS - Acoustical double wall take-off

- Inner shell dimension in mm, W x H

- Insulation : 25 mm or 50 mm

- Insulation density : 24 kg/m<sup>3</sup> as standard, other densities available on request.

W mm	H mm	L mm	(internal dimensions)
500	150	125	
550	200	125	
600	250	125	
700	150	125	
700	250	125	
800	150	125	
800	200	125	
800	250	125	
900	200	125	
900	250	125	
1000	200	125	
1000	250	125	
1100	200	125	
1100	250	125	
*1200	300	125	
*1200	400	125	
*1300	300	125	
*1300	400	125	
*1400	300	125	
*1400	400	125	
*1500	300	125	
*1500	400	125	

### Ordering

Product code: SLKTL - aaa x bbb

Type \_\_\_\_\_  
W \_\_\_\_\_  
H \_\_\_\_\_

\* For 50 mm thk. Insulation.

• For other available sizes (see page 8).

Right to alterations reserved.

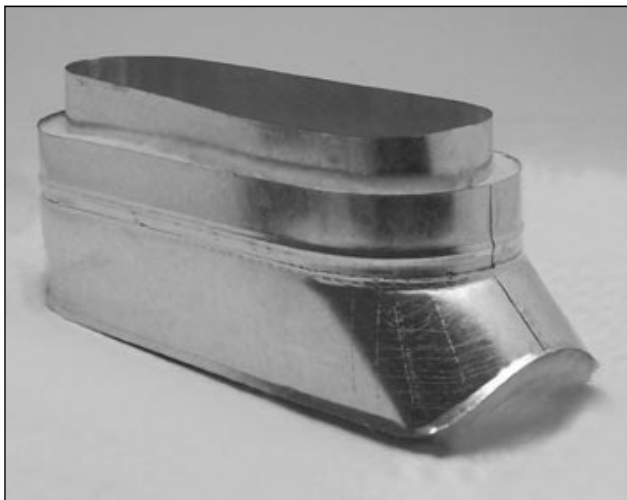


# SafidOval Double Wall

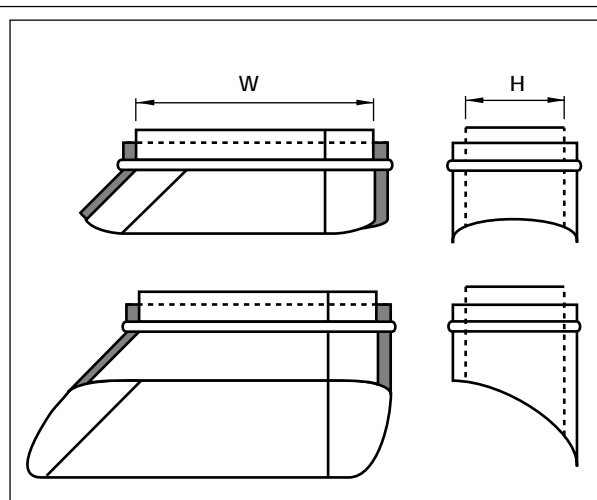
## Boot

## SBLKPL SBLKPS

### SBLKPL



### Dimensions



### Description

Boot Hard.

- Joints and seams by continuous seam or stitch welding.

SBLKPL - Thermal double wall boot

SBLKPS - Acoustical double wall boot

- Inner shell dimension in mm, W x H
- Insulation : 25 mm or 50 mm
- Insulation density : 24 kg/m<sup>3</sup> as standard, other densities available on request.

### Ordering

Product code: **SBLKPL** - **aaa** x **bbb**

Type \_\_\_\_\_  
W \_\_\_\_\_  
H \_\_\_\_\_

W mm	H mm	(internal dimensions)
500	150	
550	200	
600	250	
700	150	
700	250	
800	150	
800	200	
800	250	
900	200	
900	250	
1000	200	
1000	250	
1100	200	
1100	250	
*1200	300	
*1200	400	
*1300	300	
*1300	400	
*1400	300	
*1400	400	
*1500	300	
*1500	400	

- \* For 50 mm thk. Insulation.
- For other available sizes (see page 8).

General

SafidVent

Lindab Safe

Lindab Transfer

Safid Double Wall

SafidOval

7  
33

Safid Rectangular

Safid Flexible

Notes Standards

Products & Accessories

Lindab Comfort

Right to alterations reserved.

# SafidOval Double Wall

## Branch

## SSLKPL/45° SSLKPS/45°

General

SafidVent

Lindab Safe

Lindab Transfer

Safid Double Wall

SafidOval

7  
34

Safid Rectangular

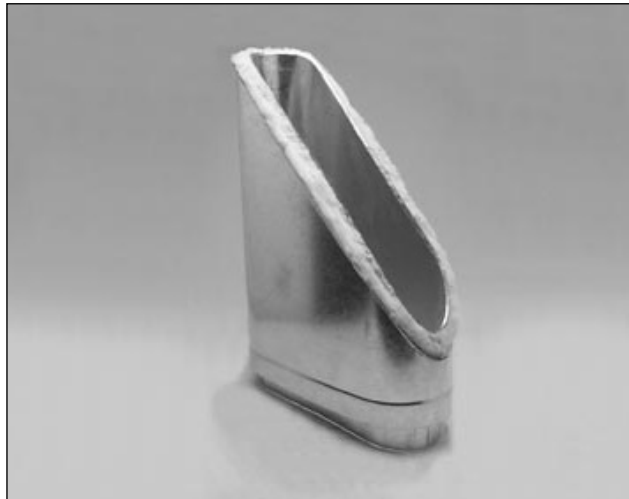
Safid Flexible

Notes Standards

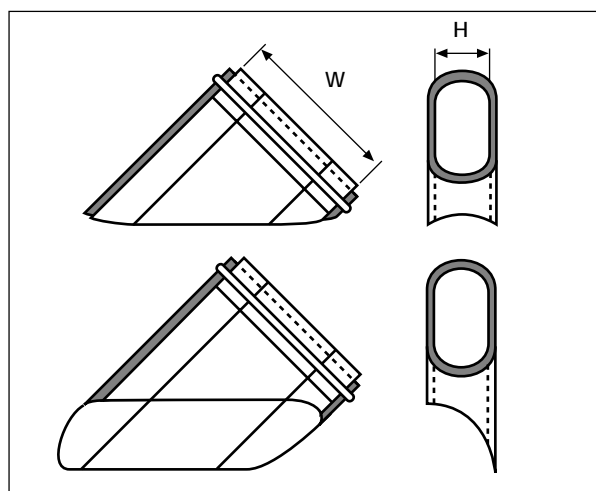
Products &amp; Accessories

Lindab Comfort

### SSLKPL/45°



### Dimensions



### Description

Tangential and Centric Branch 45°.

- Joints and seams by continuous seam or stitch welding.

SSLKPL/45° - Thermal double wall branch  
SSLKPS/45° - Acoustical double wall branch

- Inner shell dimension in mm, W x H
- Insulation : 25 mm or 50 mm
- Insulation density : 24 kg/m<sup>3</sup> as standard, other densities available on request.

W mm	H mm	(internal dimensions)
500	150	
550	200	
600	250	
700	150	
700	250	
800	150	
800	200	
800	250	
900	200	
900	250	
1000	200	
1000	250	
1100	200	
1100	250	
*1200	300	
*1200	400	
*1300	300	
*1300	400	
*1400	300	
*1400	400	
*1500	300	
*1500	400	

### Ordering

Product code: SSLKPL/45° - aaa x bbb

Type \_\_\_\_\_  
W \_\_\_\_\_  
H \_\_\_\_\_

- \* For 50 mm thk. Insulation.
- For other available sizes (see page 8).

Right to alterations reserved.

# Safid Oval Double Wall

## Specifications for duct & fittings

### I. General

A. All double wall flat oval supply, return and exhaust ductwork shall be safid Oval Double Wall as manufactured by Safid or approved equal.

B. The contractor may, at his option, covert any or all rectangular double wall ductwork to round and/or flat oval double wall ductwork provided that the project space limitations are properly addressed and that the overall system design static pressure not be exceeded.

### II. Materials

A. Unless otherwise noted, all double wall duct and fittings thermal or acoustical shall be G90 galvanized steel in accordance with ASTM A-924 and A-653. (Formerly A-527)

B. Unless otherwise noted, insulation for thermal and acoustical double wall duct and fittings shall be 25 mm in thickness and 24kg/m<sup>3</sup> in density (50 mm thickness insulation with different densities can be supplied upon request).

C. When specified on contract documents, stainless steel type 304 or type 316 in accordance with ASTM A-240 shall be provided.

D. All duct materials must be of such condition and quality that no solvents are required as surface preparation for painting.

### III. Construction

A. All duct and fittings shall be constructed per SMACNA's Duct Construction Standards 2500 pa. (+10 in W.G.) shown in the following table:

Flat-oval duct and fittings		
Major axis (mm)	Galvanized Spiral Duct	Galvanized Fittings (ga)
500 - 600	24	20
700 - 950	22	20
1000 - 1200	22	18
1250 - 1500	20	18
1550 - 1750	20	16
1800 - above	18	16

### B. Fittings

1. All fittings ends shall be calibrated to manufacturers published dimensional tolerance standard.

2. The radius of all 90° and 45° elbows shall be 1.5 times the major axis for hard bend elbows and 1.5 times the minor axis for easy bend elbows.

3. All fittings that are of either spot welded or button punched construction shall be internally sealed. Fittings that are of continuously welded construction to be without internal sealant.

### C. Flat Oval Double Wall Spiral Duct:

1. All flat oval double wall duct shall be constructed using spiral lockseam sheetmetal construction.

2. All flat oval double wall spiral duct to be constructed with a corrugation between each spiral lockseam for added strength and rigidity.

### IV. Performance

A. Duct system performance shall meet SMACNA's leakage Class 3 requirements.

General

SafidVent

Lindab Safe

Lindab Transfer

Safid Double Wall

SafidOval

7  
35

Safid Rectangular

Safid Flexible

Notes Standards

Products & Accessories

Lindab Comfort

Right to alterations reserved.